

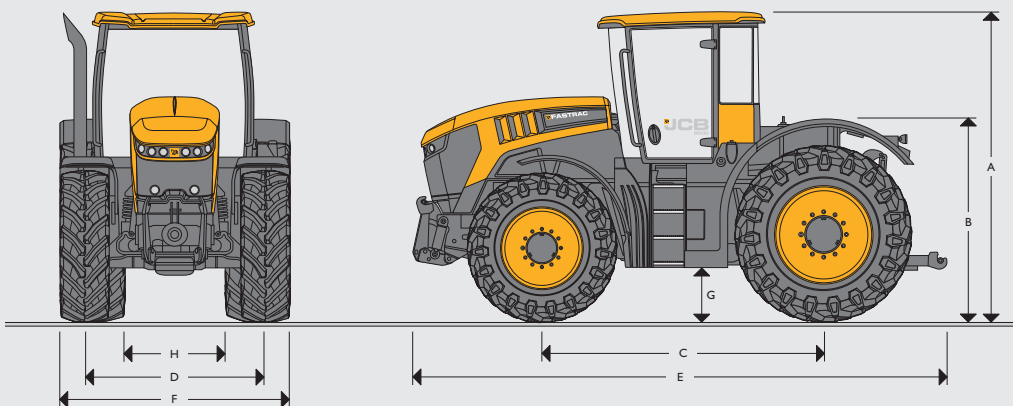


FASTRAC | 8000 SERIES

Rated power: 209-250kW (280-335hp) Rear lift capacity: 10 tonnes



STATIC DIMENSIONS 8290, 8330



| Tyres | | 540/65 R34 + 710/70 R38 | |
|-------|---------------------|-------------------------|------|
| A | Height over cab | m | 3.45 |
| B | Height over deck | m | 2.06 |
| C | Wheelbase | m | 3.13 |
| D | Track width | m | 2.03 |
| E | Overall length | m | 5.65 |
| F | Overall width | m | 2.55 |
| G | Ground clearance | m | 0.60 |
| H | Width between tyres | m | 1.1 |

ENGINE

| Model | | 8290 | 8330 |
|-----------------------|------------------------------|-----------|-----------|
| Rated power 97/68 EC | hp (kW) | 280 (209) | 335 (250) |
| Max. power 97/68 EC | hp (kW) | 306 (228) | 348 (260) |
| Max. torque @ 1500rpm | Nm | 1310 | 1440 |
| Make | AGCO Power | | |
| Model | 84AWF | | |
| Injection | Bosch CP4 common rail | | |
| No. of cylinders | 6 | | |
| Capacity | cc | 8419 | |
| Bore | mm | 111 | |
| Stroke | mm | 145 | |
| Cooling | Water | | |
| Air cleaner | Powercore dry element | | |
| Aspiration | Turbocharged and intercooled | | |

SUSPENSION

Front: Coil spring and damper.

Rear: 45mm single-acting standard.

ELECTRICAL SYSTEM

| | | |
|-------------------|----------|-----------------------|
| System voltage | Volt | 12 |
| Alternator output | Amp | 200 |
| Battery capacity | Amp hour | 2 x 110 (2 x 950 cca) |

CAPACITIES

| | | |
|----------------|--------|-----|
| Fuel tank | litres | 600 |
| Hydraulic tank | litres | 150 |
| Urea tank | litres | 70 |

HYDRAULICS

| | | |
|---|--|--|
| Rear 3 point linkage control | Electronic raise/lower with depth, draft/position intermix, rate of drop and maximum lift height control plus external lift and lower. | |
| Rear 3 point linkage type | Category III; Quick attach hook ends, eye end top link. | |
| Rear 3 point linkage capacity | 10000kg | |
| Front 3 point linkage (optional) control | Electronic raise/lower with depth, rate of drop and maximum lift height control plus external lift and lower | |
| Front 3 point linkage (optional) type | Category II; Quick attach hook ends, folding arm. | |
| Front 3 point linkage (optional) capacity | 3500kg | |

AUXILIARY HYDRAULICS

| | Standard | Optional | |
|---------------------------------|--|----------|-----|
| Max. oil flow @ rated speed | l/min | 137 | 178 |
| Flow per slice | l/min | 100 | 140 |
| Operating pressure | bar | 210 | 210 |
| Spool valves | Electronic 7 position double acting with flow and time control, float position and zero leak | | |
| Standard (Agricultural version) | 3 spool valves to the rear | | |
| Optional (Agricultural version) | 4 spool valves to the rear, load sensing hydraulic connection, 1 or 2 front supplies, front free flow return | | |
| Couplers | Quick release/spill-off piped to reservoir (front and rear) | | |

POWER TAKE OFF

| | | | |
|--------------------------|--|-----------|-----------|
| Rear PTO type | Fully independent to front and rear (front optional) | | |
| Actuation | Electro-hydraulic | | |
| Rear PTO speeds | 540rpm @ 1570 engine rpm, 1000rpm @ 1930 engine rpm | | |
| Rear PTO output spline | 21 spline 1" 3/8 diameter + 20 spline 1" 3/4 | | |
| Rear PTO type (optional) | 6 spline 1 3/4" diameter (optional) | | |
| Front PTO speed | 1000rpm @ 2030 engine rpm (optional) | | |
| Front PTO output spline | 6 spline 1 3/8" diameter (optional) | | |
| Model | 8290 | 8330 | |
| PTO power | hp (kW) | 272 (203) | 310 (231) |

| AXLES | |
|-----------------------------|---|
| Type | Beam with outboard epicyclic reduction hubs. |
| Wheel mountings | 10 stud front axle, 16 stud rear axle. |
| Four wheel drive engagement | Four wheel drive engagement Electrohydraulic. |
| Differentials | Differential lock: front and rear electro-hydraulics soft engage. |

| STEERING | |
|----------|---|
| Type | Standard: Hydrostatic dual steering system, fixed ratio. Optional: Hydrostatic dual steering system, GPS ready with Rapid Steer. |
| Column | Tilt and telescope adjustable |

| BRAKES | |
|----------------|---|
| Type | Outboard discs with twin calipers and ABS on all four wheels. |
| Operation | Air over hydraulic to EEC truck specification. |
| Park brakes | Independent disc on transmission output |
| Actuation | Sprung on, air pressure off |
| Trailer brakes | Twin line air brakes, single line hydraulic brakes automatically applied by tractor park brake, ABS 12v trailer supply socket as standard |

| TRANSMISSION | |
|---------------|---|
| Type | 2 range continuously variable transmission with 6 modes of operation. |
| Speeds (low) | 0-40kph |
| Speeds (high) | 0-70 kph |

| VEHICLE WEIGHTS | | | | |
|---|----|------------|-----------|-------|
| | | Front axle | Rear axle | Total |
| Base machine less front linkage & FPTO | kg | 5766 | 5323 | 11090 |
| +540/65 R38 front + 710/70 R38 rear, front linkage & FPTO | kg | 6310 | 5485 | 11796 |
| Maximum permissible vehicle weight | kg | 16000 | | |

| WHEELS AND TYRES | | |
|--|------------------------|------------------------------|
| | Size | Track width standard mm (in) |
| Agricultural pattern | 540/65R38 + 650/75/R38 | 1990 (78) + 1834 (72) |
| Agricultural pattern | 540/65R38 + 710/70R38 | 1990 (78) + 1834 (72) |
| Agricultural pattern | 600/70R34 + 710/70R38 | 2000 (79) + 2000 (79) |
| Utility pattern | 440/80R34 + 650/65R38 | 1990 (78) + 1900 (74.8) |
| Agricultural pattern (Territory dependent) | 650/65R34 + 900/50 R42 | 2208 (87) + 2016 (80) |

Front directional and rear fixed fenders. All tyres are speed rated for 65kph or 70kph.

| CAB | Standard equipment includes: |
|-----|--|
| | Fully automatic climate control, Air suspension seat with armrest mounted transmission and auxiliary controls, Colour touch screen display, providing transmission information and setup capability, Electronic spool valves, Category 2 filtration, Front and rear wash wipe, Front sunblind, Full road lighting equipment, Auxiliary electrical and speed sensor sockets, Full size passenger seat, Lap belt for driver and passenger, Slim line backlit dashboard, Storage compartment, Radio preparation with single DIN slot and four speakers. Cable access through rear window, Rear fender mounted raise/lower and PTO switches. |

| OPTIONAL EQUIPMENT | Depending on model and territory: |
|--------------------|--|
| | 850kg front weight, 700/900kg rear deck weight, 6 spline 1 1/4 PTO shaft, Headland Turn Assist with radar and performance monitor, Deluxe seating options, Heated front and rear screens, Electric heated mirrors with additional wide angle lens, Auxiliary audio input, Halogen and LED worklights options, External rear fender control buttons, 7 pin front power socket, 3 pin front power socket, Interior rear view mirror, Automatic rear linkage stabilisers, Hookend/hydraulic top link, Electric cool box, Rear hitch camera, Roof window, Rear window blind. |



ONE COMPANY, OVER 300 MACHINES.

Your nearest JCB dealer

EUROPE AGRICULTURAL RANGE

JCB Agriculture, Rocester, Staffordshire ST14 5JP.
 Tel: +44 (0)1889 590312 Email: salesinfo@jcb.com
 Download the very latest information on this product range at: www.jcb.com

[f facebook.com/JCBAg](https://www.facebook.com/JCBAg)
[@JCBAgriculture](https://twitter.com/JCBAgriculture)
[i JCBAgriculture](https://www.instagram.com/JCBAgriculture)
[y youtube.com/JCBAgriculture](https://www.youtube.com/JCBAgriculture)

©2014 JCB Sales. All rights reserved. No part of this publication may be reproduced, stored in a retrieval system, or transmitted in any form or by any other means, electronic, mechanical, photocopying or otherwise, without prior permission from JCB Sales. All references in this publication to operating weights, sizes, capacities and other performance measurements are provided for guidance only and may vary dependant upon the exact specification of machine. They should not therefore be relied upon in relation to suitability for a particular application. Guidance and advice should always be sought from your JCB Dealer. JCB reserves the right to change specifications without notice. Illustrations and specifications shown may include optional equipment and accessories. All images are correct at time of print. The JCB logo is a registered trademark of J C Bamford Excavators Ltd.

